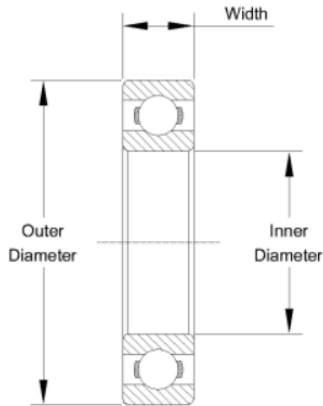




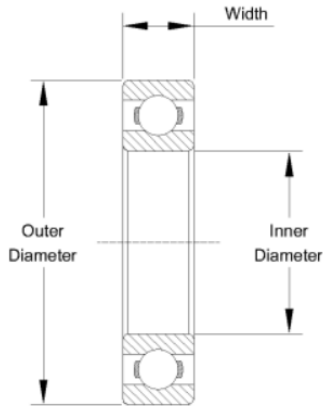
SR Series Stainless Steel Miniature Bearings



Part Number	Bore diameter	Outside diameter	Width	For load direction	Seal type	Ring material	Ball material	Limiting speed
SR09	0.04"	0.125"	0.0469"	Radial	Open	Stainless Steel	Stainless Steel	117 X 1000 rpm
SR0	0.046875"	0.15625"	0.0625"	Radial	Open	Stainless Steel	Stainless Steel	99 X 1000 rpm
SR0zz	0.046875"	0.15625"	0.0937"	Radial	Shielded	Stainless Steel	Stainless Steel	99 X 1000 rpm
SR1	0.05556"	0.1875"	0.0781"	Radial	Open	Stainless Steel	Stainless Steel	81 X 1000 rpm
SR1zz	0.05556"	0.1875"	0.1094"	Radial	Shielded	Stainless Steel	Stainless Steel	81 X 1000 rpm
SR1-4	0.07813"	0.25"	0.0937"	Radial	Open	Stainless Steel	Stainless Steel	60.3 X 1000 rpm
SR1-4 2rs	0.07813"	0.25"	0.1406"	Radial	Sealed	Stainless Steel	Stainless Steel	60.3 X 1000 rpm
SR1-4zz	0.07813"	0.25"	0.1406"	Radial	Shielded	Stainless Steel	Stainless Steel	60.3 X 1000 rpm
SR133	0.09375"	0.1875"	0.0625"	Radial	Open	Stainless Steel	Stainless Steel	72 X 1000 rpm
SR133 2rs	0.09375"	0.1875"	0.0937"	Radial	Sealed	Stainless Steel	Stainless Steel	72 X 1000 rpm
SR133zz	0.09375"	0.1875"	0.0937"	Radial	Shielded	Stainless Steel	Stainless Steel	72 X 1000 rpm
SR1-5	0.09375"	0.3125"	0.1094"	Radial	Open	Stainless Steel	Stainless Steel	54 X 1000 rpm
SR1-5 2rs	0.09375"	0.3125"	0.1406"	Radial	Sealed	Stainless Steel	Stainless Steel	54 X 1000 rpm
SR1-5zz	0.09375"	0.3125"	0.1406"	Radial	Shielded	Stainless Steel	Stainless Steel	54 X 1000 rpm
SR144	0.125"	0.25"	0.0937"	Radial	Open	Stainless Steel	Stainless Steel	60.3 X 1000 rpm
SR144 2rs	0.125"	0.25"	0.1094"	Radial	Sealed	Stainless Steel	Stainless Steel	60.3 X 1000 rpm
SR144zz	0.125"	0.25"	0.1094"	Radial	Shielded	Stainless Steel	Stainless Steel	60.3 X 1000 rpm
SR2-5	0.125"	0.3125"	0.1094"	Radial	Open	Stainless Steel	Stainless Steel	54 X 1000 rpm
SR2-5 2rs	0.125"	0.3125"	0.1406"	Radial	Sealed	Stainless Steel	Stainless Steel	54 X 1000 rpm
SR2-5zz	0.125"	0.3125"	0.1406"	Radial	Shielded	Stainless Steel	Stainless Steel	54 X 1000 rpm
SR2-6	0.125"	0.375"	0.1094"	Radial	Open	Stainless Steel	Stainless Steel	47.7 X 1000 rpm
SR2-6 2rs	0.125"	0.375"	0.1406"	Radial	Sealed	Stainless Steel	Stainless Steel	47.7 X 1000 rpm
SR2-6zz	0.125"	0.375"	0.1406"	Radial	Shielded	Stainless Steel	Stainless Steel	47.7 X 1000 rpm
SR2	0.125"	0.375"	0.1562"	Radial	Open	Stainless Steel	Stainless Steel	50.4 X 1000 rpm
SR2 2rs	0.125"	0.375"	0.1562"	Radial	Sealed	Stainless Steel	Stainless Steel	50.4 X 1000 rpm
SR2zz	0.125"	0.375"	0.1562"	Radial	Shielded	Stainless Steel	Stainless Steel	50.4 X 1000 rpm
SR2A	0.125"	0.5"	0.1719"	Radial	Open	Stainless Steel	Stainless Steel	47.7 X 1000 rpm
SR2A 2rs	0.125"	0.5"	0.1719"	Radial	Sealed	Stainless Steel	Stainless Steel	47.7 X 1000 rpm
SR2Azz	0.125"	0.5"	0.1719"	Radial	Shielded	Stainless Steel	Stainless Steel	47.7 X 1000 rpm



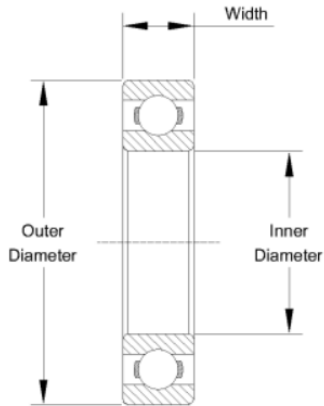
SR Series Stainless Steel Miniature Bearings



Part Number	Bore diameter	Outside diameter	Width	For load direction	Seal type	Ring material	Ball material	Limiting speed
SR155	0.15625"	0.3125"	0.1094"	Radial	Open	Stainless Steel	Stainless Steel	47.7 X 1000 rpm
SR155 2rs	0.15625"	0.3125"	0.125"	Radial	Sealed	Stainless Steel	Stainless Steel	47.7 X 1000 rpm
SR155zz	0.15625"	0.3125"	0.125"	Radial	Shielded	Stainless Steel	Stainless Steel	47.7 X 1000 rpm
SR156	0.1875"	0.3125"	0.1094"	Radial	Open	Stainless Steel	Stainless Steel	47.7 X 1000 rpm
SR156 2rs	0.1875"	0.3125"	0.125"	Radial	Sealed	Stainless Steel	Stainless Steel	47.7 X 1000 rpm
SR156zz	0.1875"	0.3125"	0.125"	Radial	Shielded	Stainless Steel	Stainless Steel	47.7 X 1000 rpm
SR166	0.1875"	0.375"	0.125"	Radial	Open	Stainless Steel	Stainless Steel	45 X 1000 rpm
SR166 2rs	0.1875"	0.375"	0.125"	Radial	Sealed	Stainless Steel	Stainless Steel	45 X 1000 rpm
SR166zz	0.1875"	0.375"	0.125"	Radial	Shielded	Stainless Steel	Stainless Steel	45 X 1000 rpm
SR3	0.1875"	0.5"	0.1562"	Radial	Open	Stainless Steel	Stainless Steel	38.7 X 1000 rpm
SR3 2rs	0.1875"	0.5"	0.196"	Radial	Sealed	Stainless Steel	Stainless Steel	38.7 X 1000 rpm
SR3zz	0.1875"	0.5"	0.196"	Radial	Shielded	Stainless Steel	Stainless Steel	38.7 X 1000 rpm
SR3A	0.1875"	0.625"	0.196"	Radial	Open	Stainless Steel	Stainless Steel	34.2 X 1000 rpm
SR3A 2rs	0.1875"	0.625"	0.196"	Radial	Open	Stainless Steel	Stainless Steel	34.2 X 1000 rpm
SR3Azz	0.1875"	0.625"	0.196"	Radial	Shielded	Stainless Steel	Stainless Steel	34.2 X 1000 rpm
SR168	0.25"	0.375"	0.125"	Radial	Open	Stainless Steel	Stainless Steel	43.2 X 1000 rpm
SR168 2rs	0.25"	0.375"	0.125"	Radial	Sealed	Stainless Steel	Stainless Steel	43.2 X 1000 rpm
SR168zz	0.25"	0.375"	0.125"	Radial	Shielded	Stainless Steel	Stainless Steel	43.2 X 1000 rpm
SR188	0.25"	0.5"	0.125"	Radial	Open	Stainless Steel	Stainless Steel	36 X 1000 rpm
SR188 2rs	0.25"	0.5"	0.1875"	Radial	Sealed	Stainless Steel	Stainless Steel	36 X 1000 rpm
SR188zz	0.25"	0.5"	0.1875"	Radial	Shielded	Stainless Steel	Stainless Steel	36 X 1000 rpm
SR4	0.25"	0.625"	0.196"	Radial	Open	Stainless Steel	Stainless Steel	34.2 X 1000 rpm
SR4 2rs	0.25"	0.625"	0.196"	Radial	Sealed	Stainless Steel	Stainless Steel	34.2 X 1000 rpm
SR4zz	0.25"	0.625"	0.196"	Radial	Shielded	Stainless Steel	Stainless Steel	34.2 X 1000 rpm
SR4A	0.25"	0.75"	0.2188"	Radial	Open	Stainless Steel	Stainless Steel	32.4 X 1000 rpm
SR4A 2rs	0.25"	0.75"	0.2812"	Radial	Sealed	Stainless Steel	Stainless Steel	32.4 X 1000 rpm
SR4Azz	0.25"	0.75"	0.2812"	Radial	Shielded	Stainless Steel	Stainless Steel	32.4 X 1000 rpm
SR1810	0.3125"	0.5"	0.1562"	Radial	Open	Stainless Steel	Stainless Steel	36 X 1000 rpm
SR1810 2rs	0.3125"	0.5"	0.1562"	Radial	Sealed	Stainless Steel	Stainless Steel	36 X 1000 rpm



SR Series Stainless Steel Miniature Bearings



Part Number	Bore diameter	Outside diameter	Width	For load direction	Seal type	Ring material	Ball material	Limiting speed
SR1810zz	0.3125"	0.5"	0.1562"	Radial	Shielded	Stainless Steel	Stainless Steel	36 X 1000 rpm
SR6	0.375"	0.875"	0.2188"	Radial	Open	Stainless Steel	Stainless Steel	28.8 X 1000 rpm
SR6_2rs	0.375"	0.875"	0.2812"	Radial	Sealed	Stainless Steel	Stainless Steel	28.8 X 1000 rpm
SR6zz	0.375"	0.875"	0.2812"	Radial	Shielded	Stainless Steel	Stainless Steel	28.8 X 1000 rpm